

DESCO INDUSTRIES INCORPORATED

3651 Walnut Ave. Chino CA 91710 909-627-8178 FAX 909-627-7449

OVERHEAD IONIZER PLUS AND DELUXE IONIZER

On the next page, I have noted the functions of the 3 trimpots for your information. You will need a slim adjusting tool that fits easily through the vent slots in the top of the ionizer. It will need to have a narrow slotted blade to fit the trimpot adjusting screw. The adjustment procedure we use is as follows:

1. The balance adjustment is done first, with the use of a charged-plate monitor. The adjustment should be done with a minimum of external disturbances, such as drafts, people moving about, etc.. Several minutes should be allowed after the adjustment for the balance to stabilize.
2. When the charged-plate indicates a satisfactory and relatively steady balance level, the LED balance indicator should be adjusted next. This adjustment is made to set the display to the center position.
3. Although it is normally not required, the fan speed may be reset if desired. After turning the ionizer off and then back on, press the airflow increase button several times to insure that it is set at maximum. Then, using the fan speed adjustment, set the fan speed so that the top segment on the bargraph display just comes on. If the adjustment is set too far beyond this point, the fans will receive too much voltage, possibly causing damage.

If during or after making these adjustments, you have any concerns or questions, please call and ask to speak with a technician.

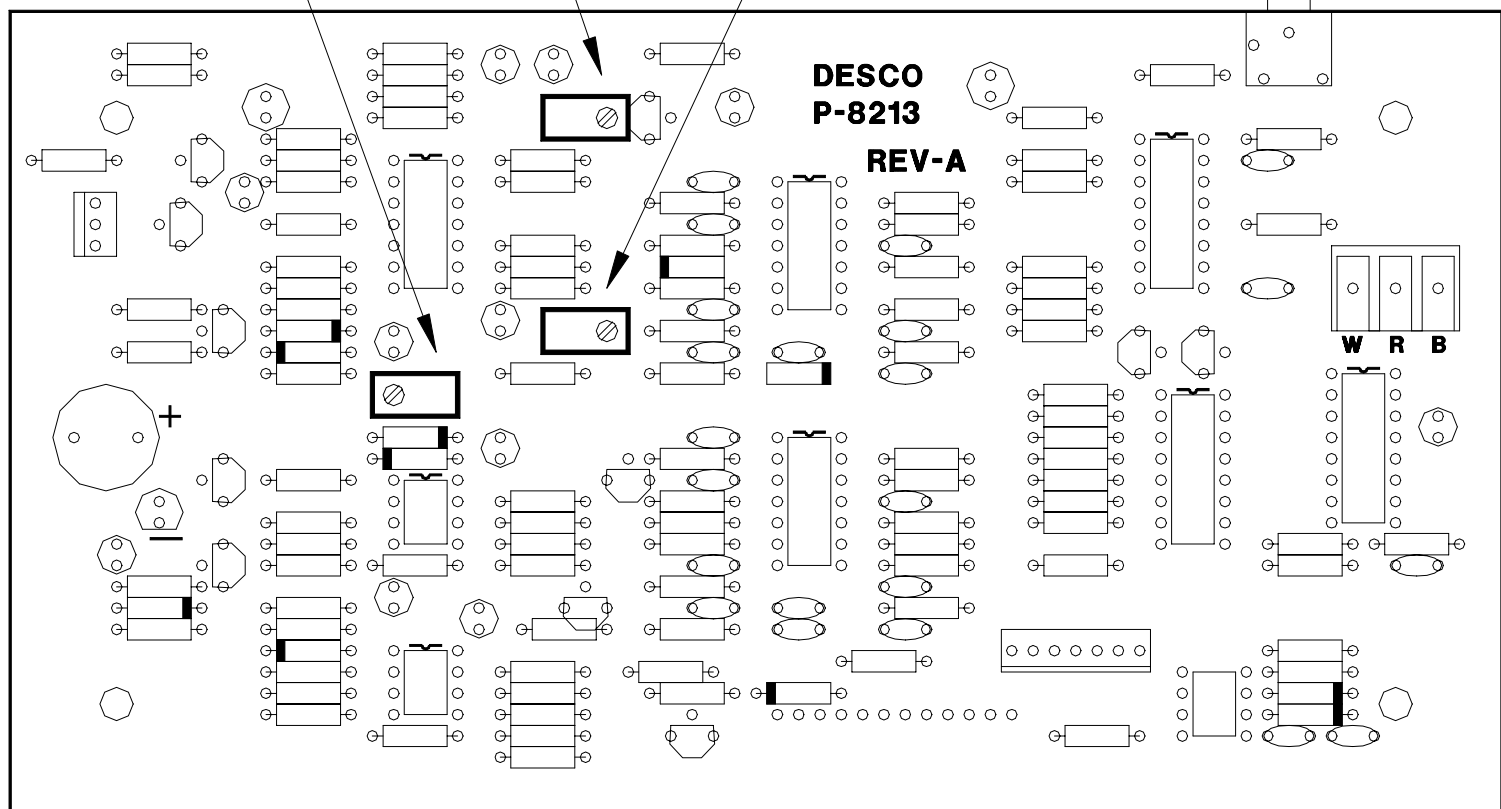
*Any unit that does not fall into these limits after cleaning and adjustment should be returned to the factory for repair

**LED BALANCE
ADJUST**

P-8213-A

BALANCE

FAN SPEED



↓ **FRONT OF IONIZER** ↓